

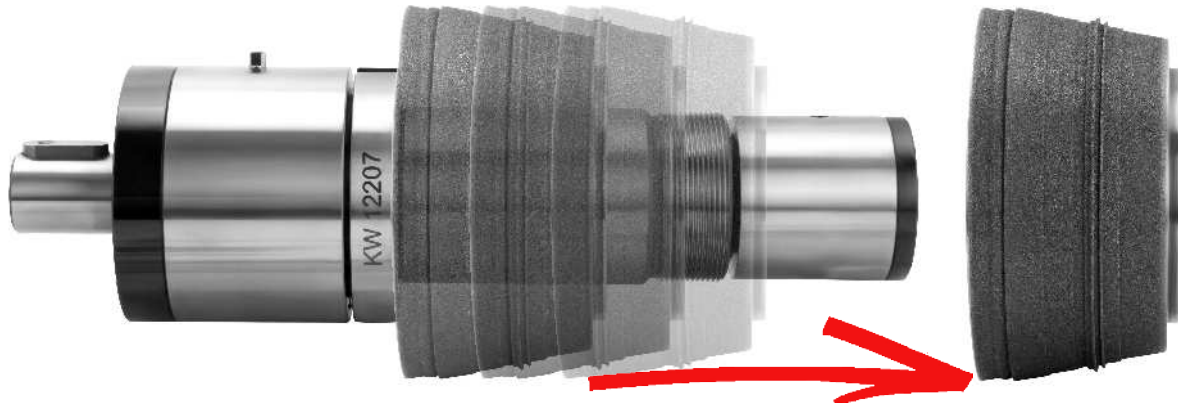


Over 20,000 units distributed worldwide



More than the micron

Hydro Expansion Technology with highest precision and efficiency



HSP - the fast changing system for dressing wheels

Through the fast-change-system, HSP, it is possible to change dressing wheels in the shortest amount of time. HSP-mandrels take care of form-fitting and safe tension. Thus reducing the extensive setup time to a minimum without missing out on grinding- and dressing quality. The dressing wheel exchange is easy and doesn't require additional preparation. Your added value: stable safety process and best economy.

According to customer request, we design special drive solutions like a HSK port. Dressing mandrels can also be equipped with industry 4.0 ready sensors (RFiD-sensors) and touch sensors (AE-sensors). Sealing air can be retrofitted to existing mandrels, regardless of manufacturer, even without air connection at the machine. Profit from our expertise and the diverse variations of our dressing arbors.



Technical data:

Clamping-ø: 52/56/63 mm (or other)
Clamping screw: on the side or individual

KW Abrichttec GmbH

Behringstrasse 19a
63814 Mainaschaff
GERMANY

Tel.: +49 6021 / 79 00-0
Fax: +49 6021 / 79 00-50
Mail: info@kw-a.de
Web: www.kw-a.de

